

**1** LKT — **2** 03 — **3** T — **4** A1 — **5** Y

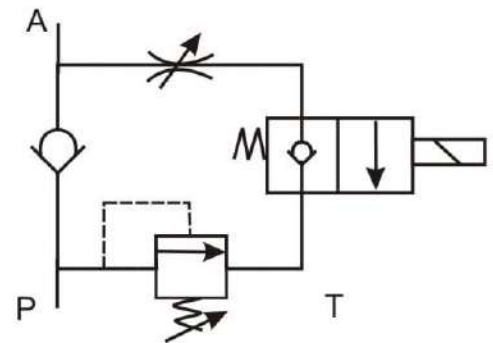
**1** VALVE SERIES  
LKT= LIFT Valves

**2** SUBPLATE MOUNTING SIZE  
03 = 3/8" (9mm) ISO CETOP5  
04 = 1/2" (12mm) ISO CETOP7

**3** CONNECTING TYPE  
T:TYPE:THREADING TYPE

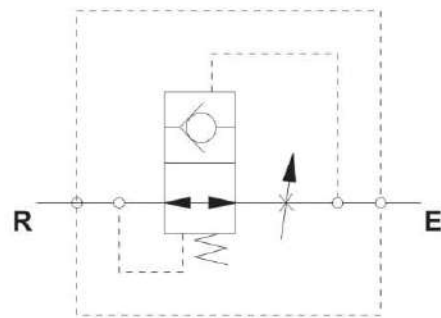
**4** TYPE OF COIL  
A230: AC 230 50HZ  
D1 : Dc12  
D2 : Dc12

**5** ADJUSTMENT OPTION  
Non : Standard  
Y : Twist Style Manual Override



Model Number	Maximum Pressure Mpa	Maximum tank line back pressure Mpa	Maximum tank frequencies of operation	Maximum Flow lpm	Weight Kg	
					AC	DC
LKT-03	21 (210 kgf/cm <sup>2</sup> )	0.07 (0.7 kgf/cm <sup>2</sup> )	60 Cycles/min	30 (7.92 gpm)	1.7 (3.7 lbs)	1.7 (3.7 lbs)
LKT-04				50 (13.21 gpm)		

### HOSE BURST PROTECTION CARTRIDGE TYPE VALVES



### ◆ SPECIFICATIONS

Model Number	Maximum Pressure bar	Maximum Flow lpm	Weight Kg
VAS-03	350 (5076 psi)	50 (13.21 gpm)	0.01 (0.02 lbs)
VAS-04	350 (5076 psi)	80 (21.13 gpm)	0.02 (0.04 lbs)
VAS-06	350 (5076 psi)	150 (39.63 gpm)	0.04 (0.09 lbs)
VAS-08	350 (5076 psi)	220 (58.12 gpm)	0.22 (0.49 lbs)
<b>Fluid Type</b>	ISO VG 32 , 46 , 68		
<b>Viscosity cSt</b>	10~400 (59~1854 SSU)		
<b>Operating Temperature °C</b>	-15~70 (-5~158 °F)		
<b>Contamination Level <math>\beta_{10}</math></b>	$\beta_{10} \geq 75$ , Under NAS Class 12, 25 $\mu$		