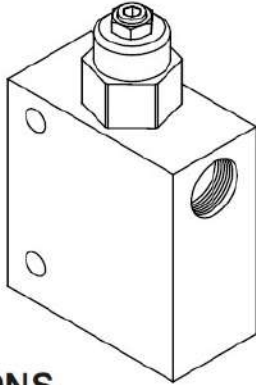


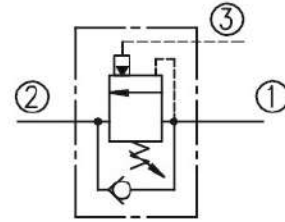
PRESSURE CONTROL VALVES

VCBD SERIES CARTRIDGE TYPE COUNTER BALANCE VALVES

◆ MODEL VCBD-02



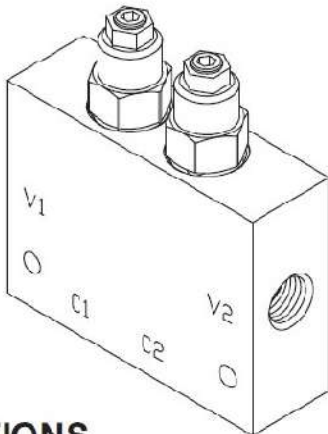
◆ CONTROL PORT(S)



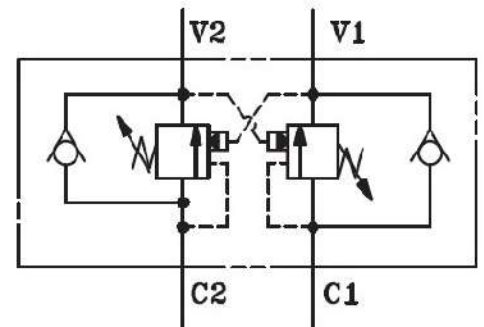
◆ SPECIFICATIONS

Model Number 型式號碼	Maximum Pressure 最大壓力 bar	Adjustment Pressure 壓力調整範圍 bar	Maximum Flow 最大流量 lpm	Pilot Ratio 引導比例	Weight 重量 Kg
VCBD-02	350 (5076 psi)	* ~350	60 (15.85 gpm)	3:1 / 4.5:1 / 10:1	1.35 (2.98 lbs)
VCBD-03	350 (5076 psi)	* ~350	120 (31.70 gpm)	3:1 / 4.5:1 / 10:1	2.10 (4.63 lbs)
VCBD-06	350 (5076 psi)	* ~350	240 (63.40 gpm)	3:1 / 4.5:1 / 10:1	5.32 (11.73 lbs)
VCBD-10	350 (5076 psi)	* ~350	480 (126.80 gpm)	3:1 / 4.5:1 / 10:1	10 (22.05 lbs)

◆ MODEL VCBL-02



◆ CONTROL PORT(S)



◆ SPECIFICATIONS

Model Number 型式號碼	Maximum Pressure 最大壓力 bar	Pilot Ratio 引導比例	Adjustment Pressure 壓力調整範圍 bar	Maximum Flow 最大流量 Lpm	Weight 重量 Kg
VCBL-02	350 (5076 psi)	3:1 / 10:1	* ~ 345	60 (15.85 gpm)	2.2 (4.85 lbs)
VCBL-03	350 (5076 psi)	3:1 / 10:1	* ~ 345	120 (31.70 gpm)	3 (6.61 lbs)
VCBL-06	350 (5076 psi)	3:1 / 10:1	* ~ 345	240 (63.40 gpm)	7.3 (16.09 lbs)